

## DT-1000MC WASTE COMPACTOR

**“Waste management equipment for the demanding maritime and offshore industry that gets the job done efficiently, safely and in an environmentally responsible manner.”**



The DT-1000MC combined waste compactor and baler is manufactured in stainless steel and especially suited for use onboard ships and offshore installations. The compactor is delivered with a wheeled C-1000 container for easy and effective waste logistics.

The modular design of the DT-1000MC makes it perfectly suited for source segregation according to MARPOL guidelines, simply by adding extra containers for different waste categories.



MARINE



OFFSHORE



NAVY



CRUISE



YACHT



FISHING



ONSHORE

The DT-1000MC can be used as a free-standing unit or in combination with other DT1000series products as the C-1000 container is interchangeable between them. Combining a DT1000series waste compactor and shredder is the most effective way to ensure extreme volume reduction and significantly reduced waste handling cost.

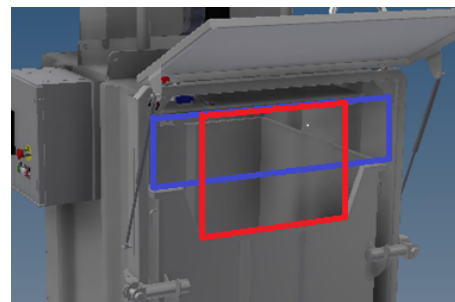
### Key Benefits:

- Stainless steel design for indoor and outdoor placement.
- Compaction directly into big bags for easy deployment of waste.
- Delitek Products are verified for use in marine and offshore industries by DNV.
- Powerful electro/hydraulic drive for high press-force.
- Easy installation and operation (Plug & Play).
- Alternative power supply: Pneumatic/hydraulic.
- EX/ATEX version with DNV unit certification available.



### Technical specifications

Material	Stainless steel AISI 304 or AISI 316
Capacity	1 m3
Loading opening (W x H)*	1000x244mm/596x433mm
Compaction force (Max)	12,5 tons
Dimensions (W x D x H)	1389mm x 1137mm x 2609mm
Weight (incl. container)	472,2 kg
Motor voltage	220V / 380~440V / 480V / 690V, 3Ph, 50~60Hz
Motor power	<1,8kW
Alternative power supply	Pneumatic/Hydraulic
Noise level	<65dB Max



\* Loading opening

\*All specifications are subject to change without notice.

### Delitek AS (Head Office)

Anna Eriksens Vei 31 N-8432 Alsvåg, Norway Tel: +47 76 18 57 60

e-mail: sales@delitek.no www.delitek.no