

DT-1500MC WASTE COMPACTOR

“Waste management equipment for the demanding maritime and offshore industry that gets the job done efficiently, safely and in an environmentally responsible manner.”



The DT-1500MC combined waste compactor and baler is manufactured in stainless steel and especially suited for use onboard ships and offshore installations. The compactor is delivered with a wheeled C-1500 container for easy and effective waste logistics.

The modular design of the DT-1500MC makes it perfectly suited for source segregation according to MARPOL guidelines, simply by adding extra containers for different waste categories.



MARINE



OFFSHORE



NAVY



CRUISE



YACHT



FISHING



ONSHORE

The DT-1500MC can be used as a free-standing unit or in combination with other DT1500series products as the C-1500 container is interchangeable between them. Combining a DT1500series waste compactor and shredder is the most effective way to ensure extreme volume reduction and significantly reduced waste handling cost.

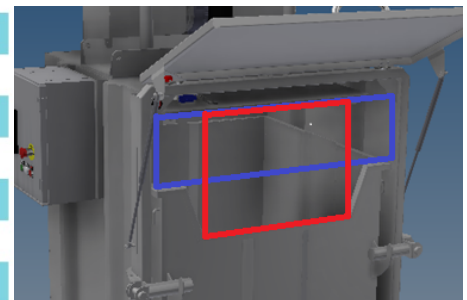
Key Benefits:

- Stainless steel design for indoor and outdoor placement.
- Compaction directly into big bags for easy deployment of waste.
- Delitek Products are verified for use in marine and offshore industries by DNV.
- Powerful electro/hydraulic drive for high press-force.
- Easy installation and operation (Plug & Play).
- Alternative power supply: Pneumatic/hydraulic.
- EX/ATEX version with DNV unit certification available.



Technical specifications

Material	Stainless steel AISI 304 or AISI 316
Capacity	1,5 m ³
Loading opening (W x H)*	1250x250mm/558x438mm
Compaction force (Max)	15 tons
Dimensions (W x D x H)	1639mm x 1207mm x 2821mm
Weight (Incl. container)	636 Kg
Motor voltage	220V / 380~440V / 480V / 690V, 3Ph, 50~60Hz
Motor power	<1,8 kW
Alternative power supply	Pneumatic/Hydraulic
Noise level	<65dB Max



* Loading opening

*All specifications are subject to change without notice.

Delitek AS (Head Office)

Anna Eriksens Vei 31 N-8432 Alsvåg, Norway Tel: +47 76 18 57 60 e-mail: sales@delitek.no www.delitek.no